

Sheet: Power

File: power.sch

Sheet: Audio

File: audio.sch

Sheet: Tape

File: tape.sch

Sheet: CPU

File: cpu.sch

Sheet: ULA

File: ula.sch

Sheet: VideoGenerator

File: video.sch

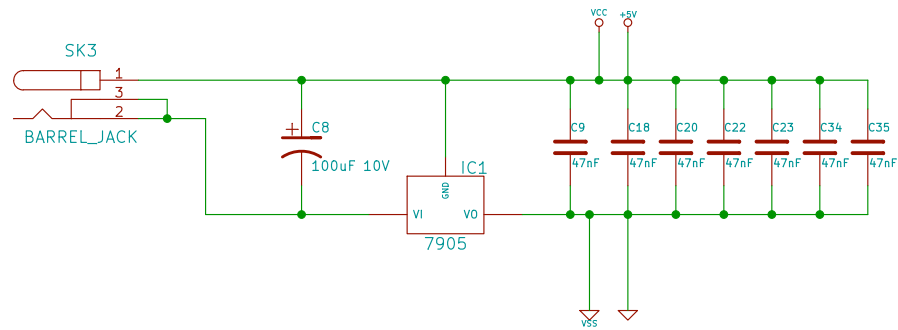
Sheet: Memory

File: memory.sch

Revision Log:
 Issue 4: Last official Oric version
 Issue 5: Include all official rework from Oric Product Inc
 Issue 6: Include changes from Oric International (Add TR4, R32, LK4, D2, D3),
 Issue 6.1: Add official support for the VSYNC "hack": RL1 changed to a Two Pole,
 SK1 changed to a DIN 8 to add +5V on the same place as D1 does.
 (pin 6 and 7 will provide SYNC IN and AUDIO OUT.) Added LK5 to
 allow use of a single pole relay



Kicad version (c) 2014 986 Studio [Manoel Trapier <godzil@986-studio.com>]		
(c) 1981-1984 Tangerine & Oric International		
Sheet: /		
File: Oric1.sch		
Title: Oric-1 / Atmos		
Size: A4	Date: 27 mar 2014	Rev: Issue 6.1
KiCad E.D.A. eschema (2014-02-26 BZR 4721)-product		Id: 1/8



Kicad version (c) 2014 986 Studio [Manoel Trapier <godzil@986-studio.com>]

(c) 1981-1984 Tangerine & Oric International

Sheet: /Power/

File: power.sch

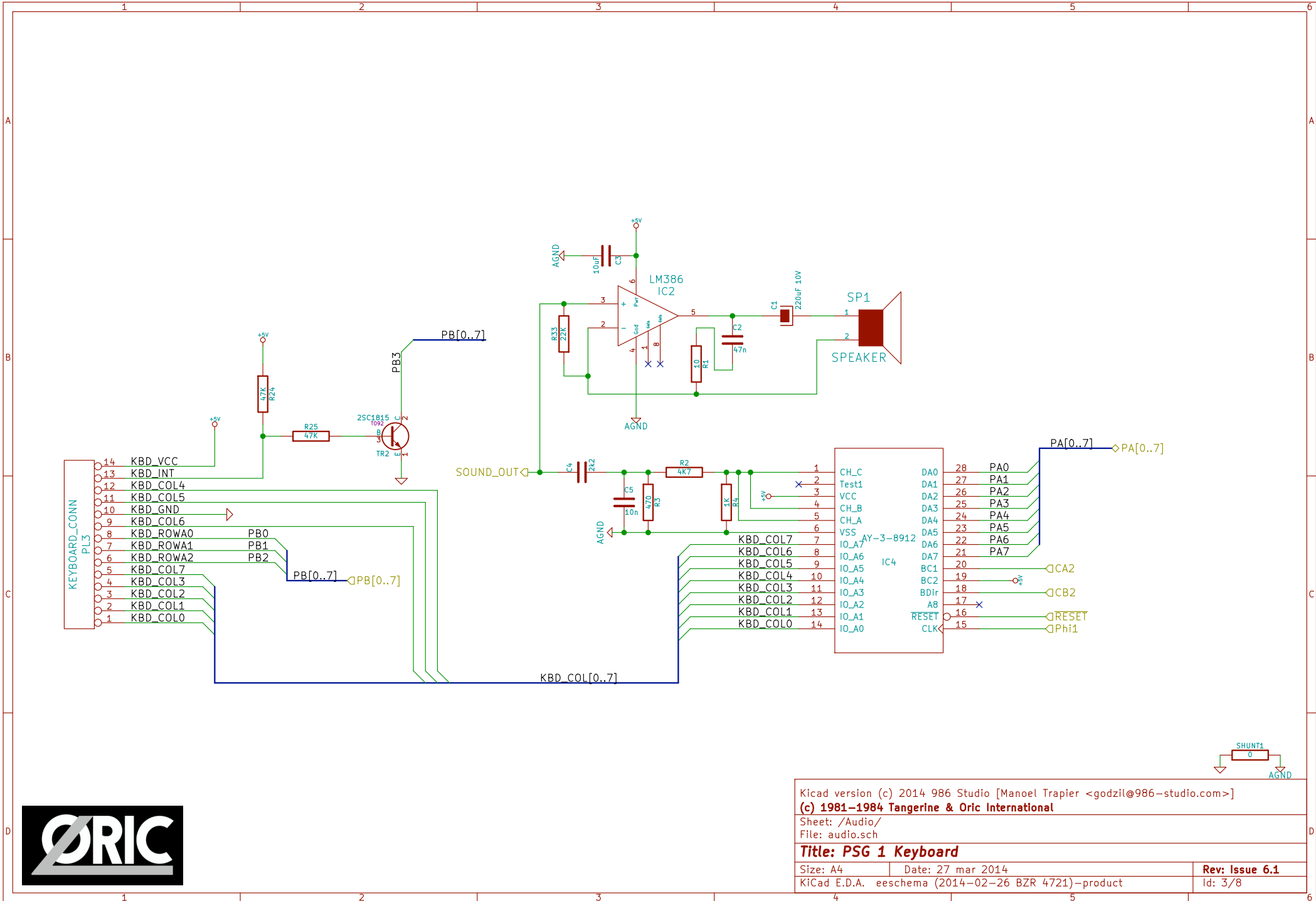
Title: Power supply

Size: A4 Date: 27 mar 2014

Rev: Issue 6.1

KiCad E.D.A. eeschema (2014-02-26 BZR 4721)-product

Id: 2/8



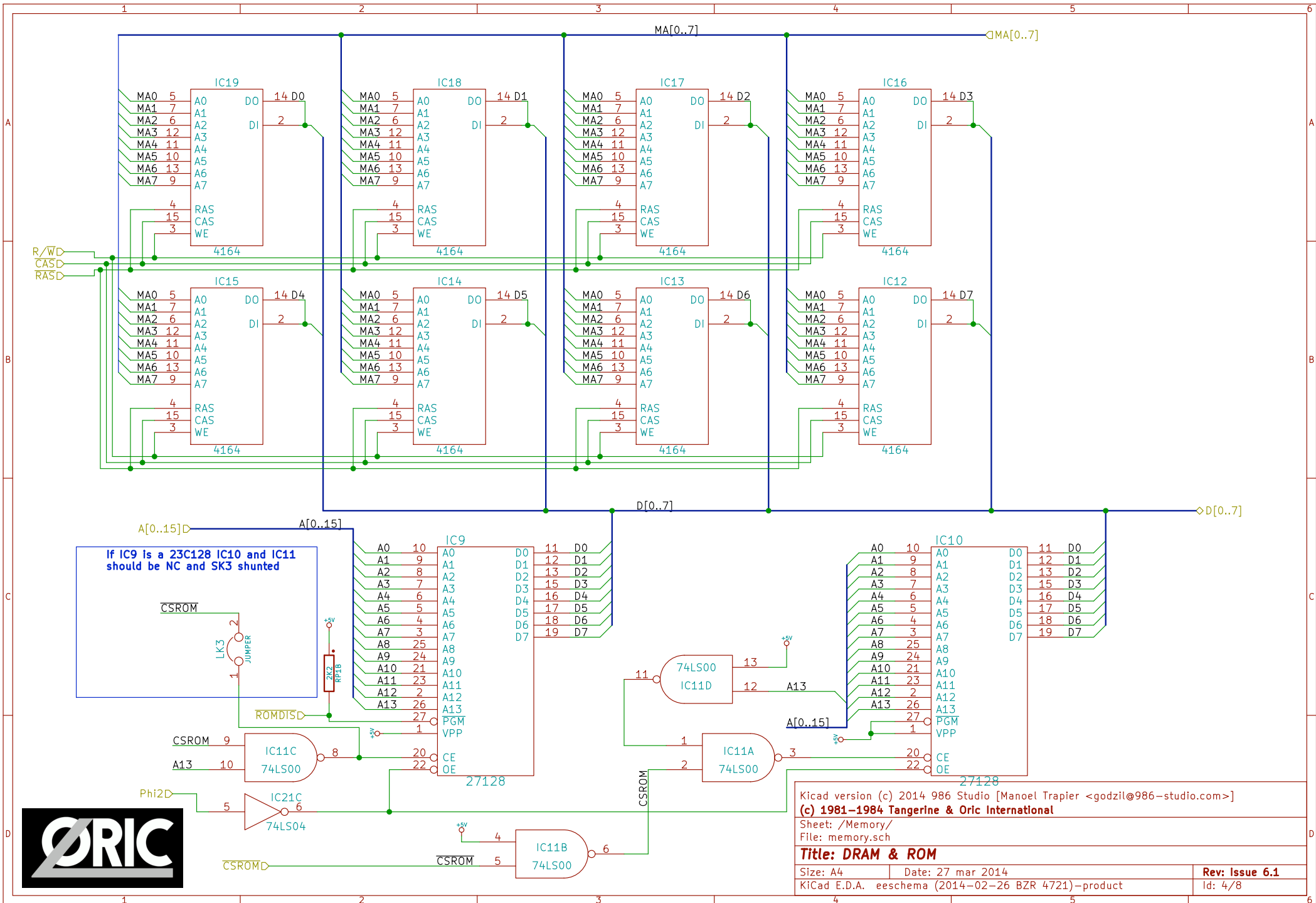
Kicad version (c) 2014 986 Studio [Manoel Trapier <godzil@986-studio.com>]
 (c) 1981-1984 Tangerine & Oric International

Sheet: /Audio/
 File: audio.sch

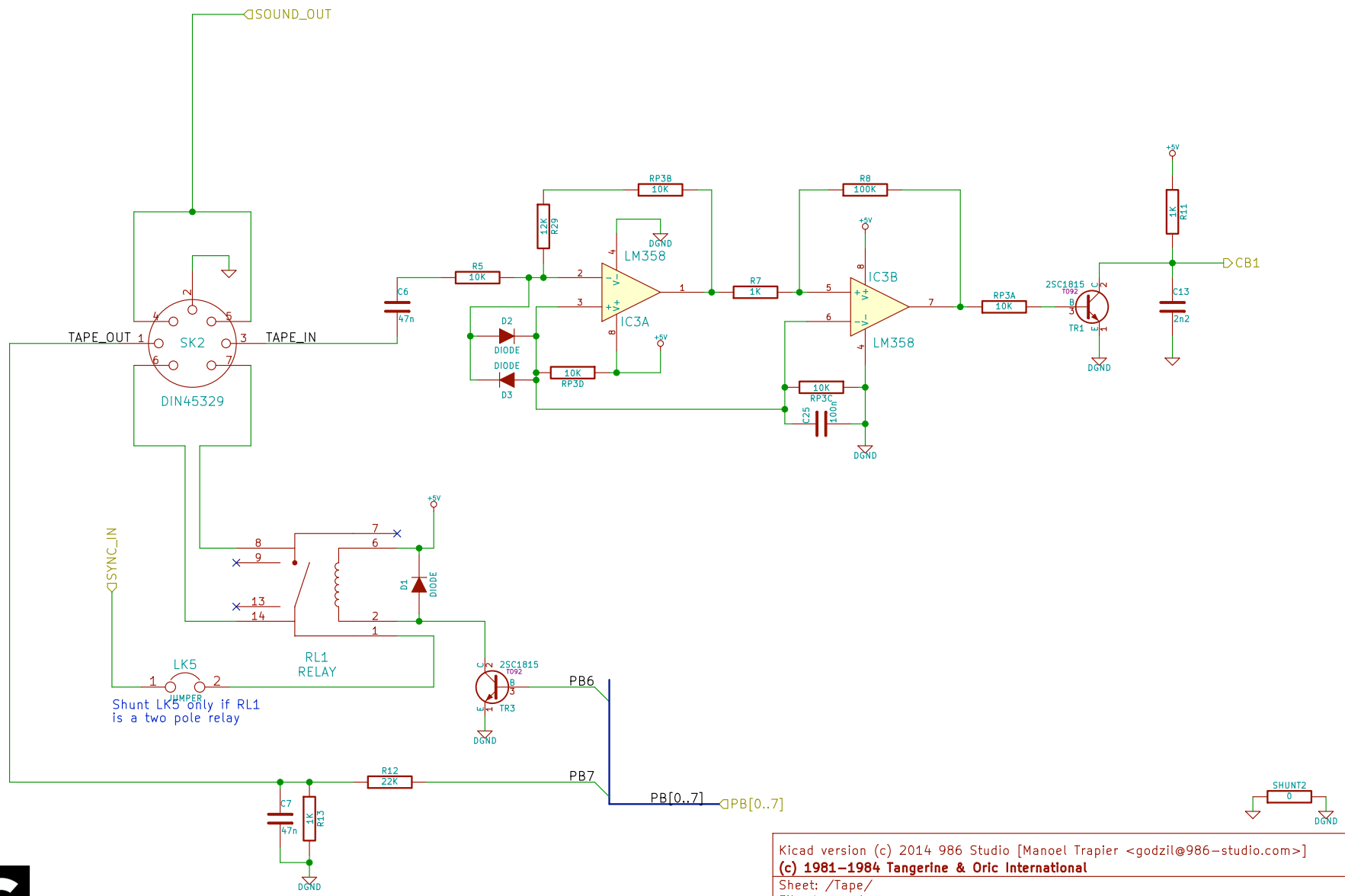
Title: PSG 1 Keyboard

Size: A4 Date: 27 mar 2014
 KiCad E.D.A. eeschema (2014-02-26 BZR 4721)-product

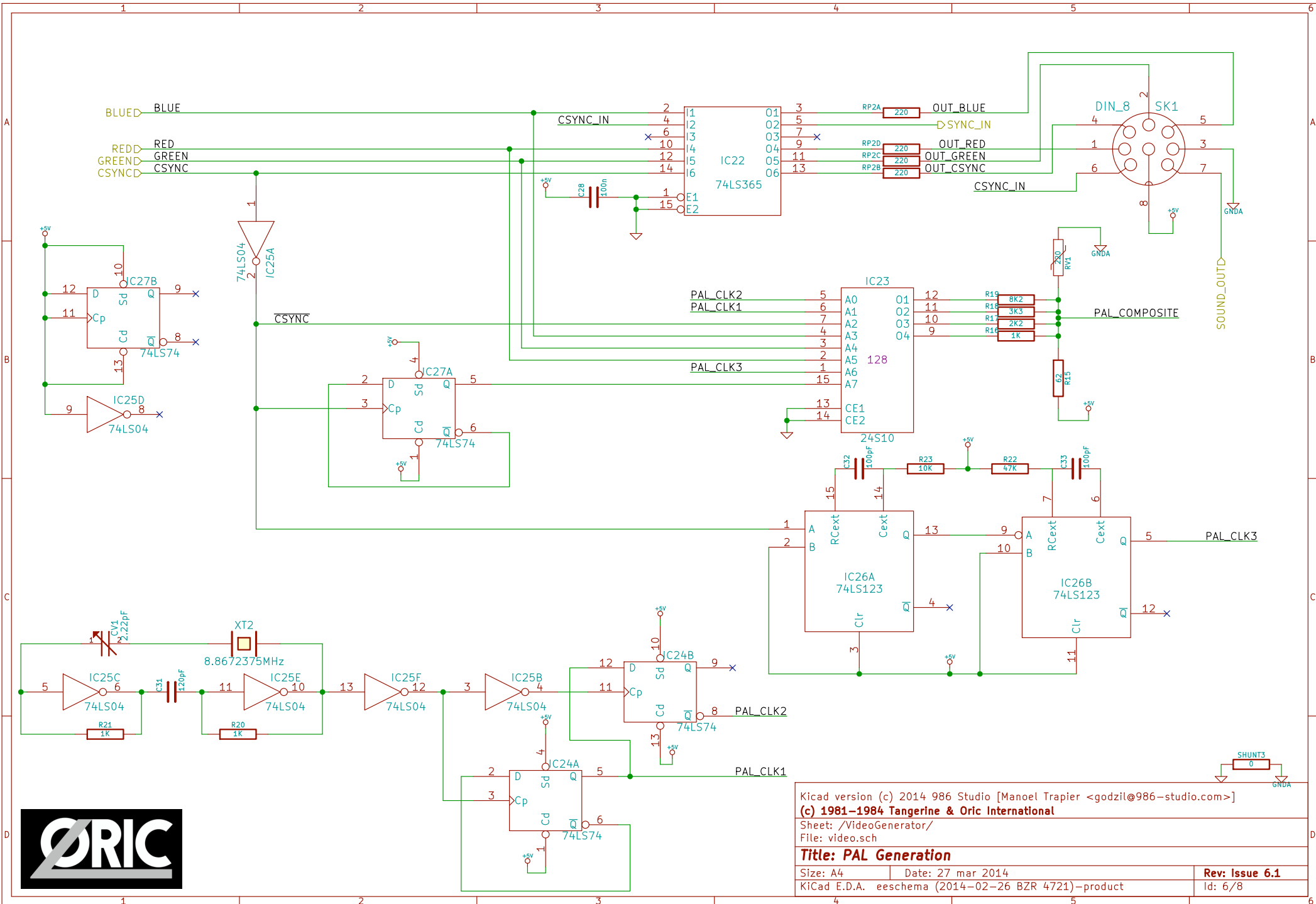
Rev: Issue 6.1
 Id: 3/8



Kicad version (c) 2014 986 Studio [Manoel Trapier <godzil@986-studio.com>]
 (c) 1981-1984 Tangerine & Oric International
 Sheet: /Memory/
 File: memory.sch
Title: DRAM & ROM
 Size: A4 Date: 27 mar 2014 Rev: Issue 6.1
 KiCad E.D.A. eeschema (2014-02-26 BZR 4721)-product Id: 4/8



Kicad version (c) 2014 986 Studio [Manoel Trapier <godzil@986-studio.com>]		
(c) 1981-1984 Tangerine & Oric International		
Sheet: /Tape/		
File: tape.sch		
Title: Oric		
Size: A4	Date: 27 mar 2014	Rev: Issue 6.1
KiCad E.D.A. eeschema (2014-02-26 BZR 4721)-product		Id: 5/8



Kicad version (c) 2014 986 Studio [Manoel Trapier <godzil@986-studio.com>]

(c) 1981-1984 Tangerine & Oric International

Sheet: /VideoGenerator/

File: video.sch

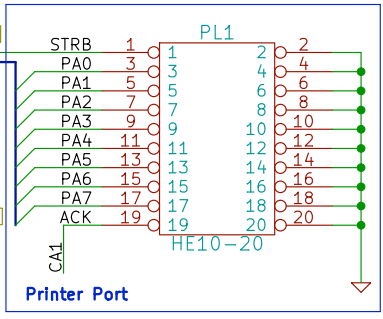
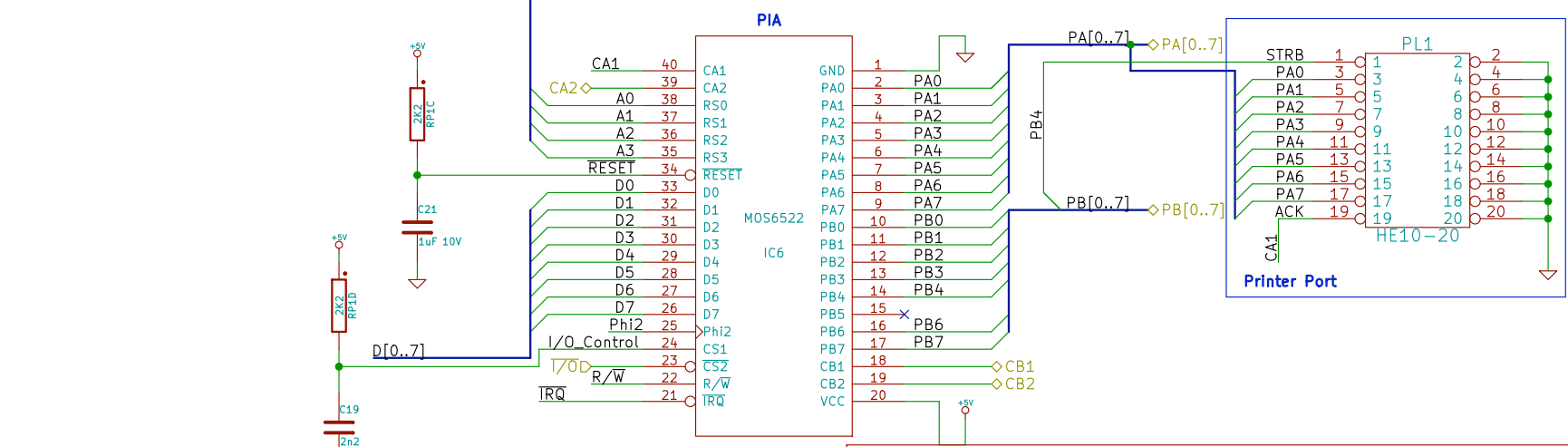
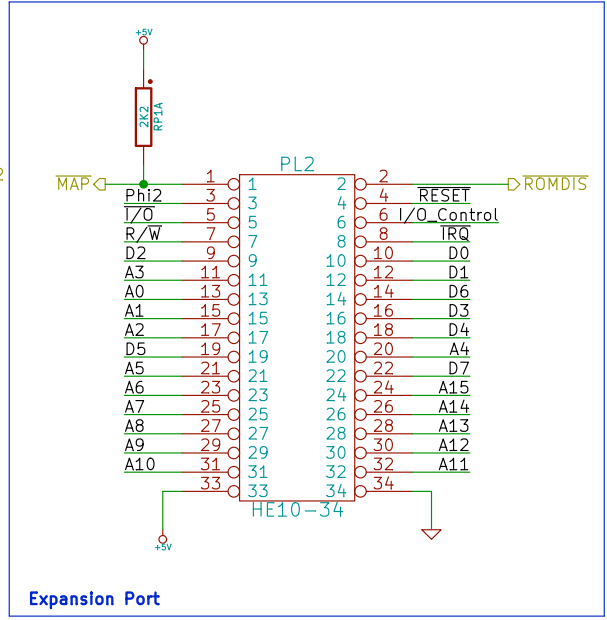
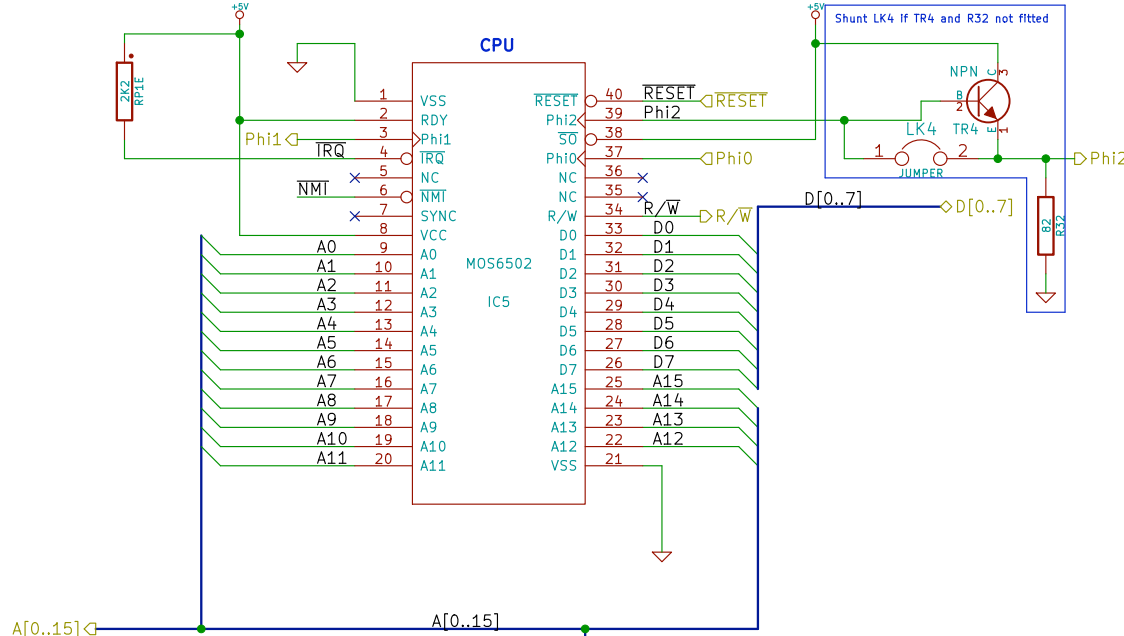
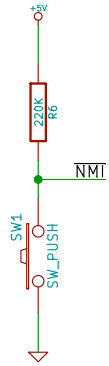
Title: PAL Generation

Size: A4 Date: 27 mar 2014

KiCad E.D.A. eeschema (2014-02-26 BZR 4721)-product

Rev: Issue 6.1

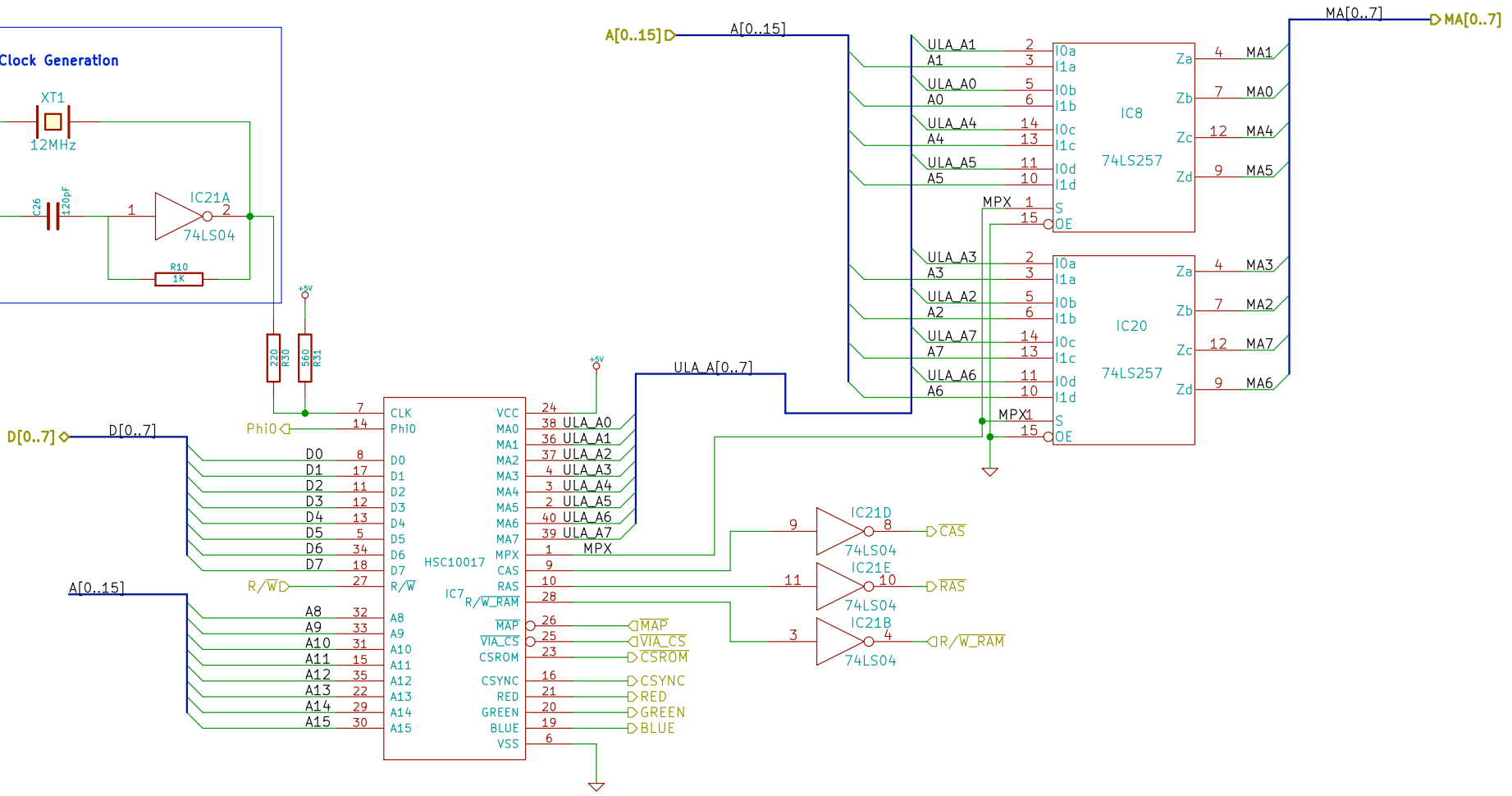
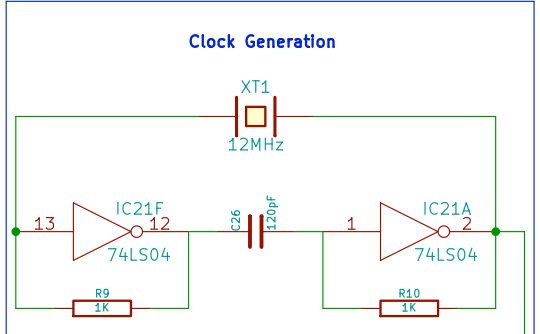
Id: 6/8



Kicad version (c) 2014 986 Studio [Manoel Trapier <godzil@986-studio.com>]
 (c) 1981-1984 Tangerine & Oric International
 Sheet: /CPU/
 File: cpu.sch

Title: CPU & VIA

Size: A4	Date: 27 mar 2014	Rev: Issue 6.1
KiCad E.D.A. eeschema (2014-02-26 BZR 4721)-product		Id: 7/8



Kicad version (c) 2014 986 Studio [Manoel Trapier <godzil@986-studio.com>]		
(c) 1981-1984 Tangerine & Oric International		
Sheet: /ULA/		
File: ula.sch		
Title: ULA & Memory decoding		
Size: A4	Date: 27 mar 2014	Rev: Issue 6.1
KiCad E.D.A. eeschema (2014-02-26 BZR 4721)-product		Id: 8/8