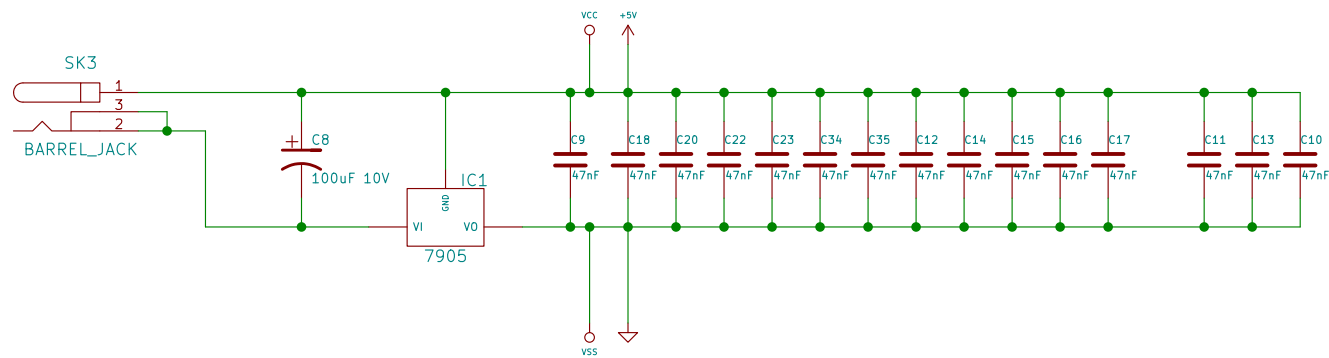


Revision Log:  
 Issue 4: Last official Oric version  
 Issue 5: Include all official rework from Oric Product Inc  
 Issue 6: Include changes from Oric International (Add TR4, R32, LK4, D2, D3)  
 Issue 6.1: Add official support for the VSYNC "hack". RL1 changed to a Two Pole, SK1 changed to a DIN 8 to add +5V on the same place as OI does. (pin 6 and 7 will provide SYNC IN and AUDIO OUT,) Added LK5 to allow use of a single pole relay  
 Issue 7: Make the hardware VSYNC working  
 Add pins for a reset button  
 Remove unusefull IC10 and change to make /ROMDIS working on all type of ROM chips. Add the possibility to use a x257 storing to ROM banks

Kicad version (c) 2014-2015 986 Studio [Manoel Trapier <godzil@986-studio.com>]		
<b>(c) 1981-1984 Tangerine &amp; Oric International</b>		
Sheet: /		
File: Oric1.sch		
<b>Title: Oric-1 / Atmos</b>		
Size: A4	Date: 04/08/2015	<b>Rev: Issue 7</b>
KiCad E.D.A. eschema (2015-03-06 BZR 5484)-product		Id: 1/8



Kicad version (c) 2014-2015 986 Studio [Manoel Trapier <godzil@986-studio.com>]

(c) 1981-1984 Tangerine & Oric International

Sheet: /Power/

File: power.sch

**Title: Power supply**

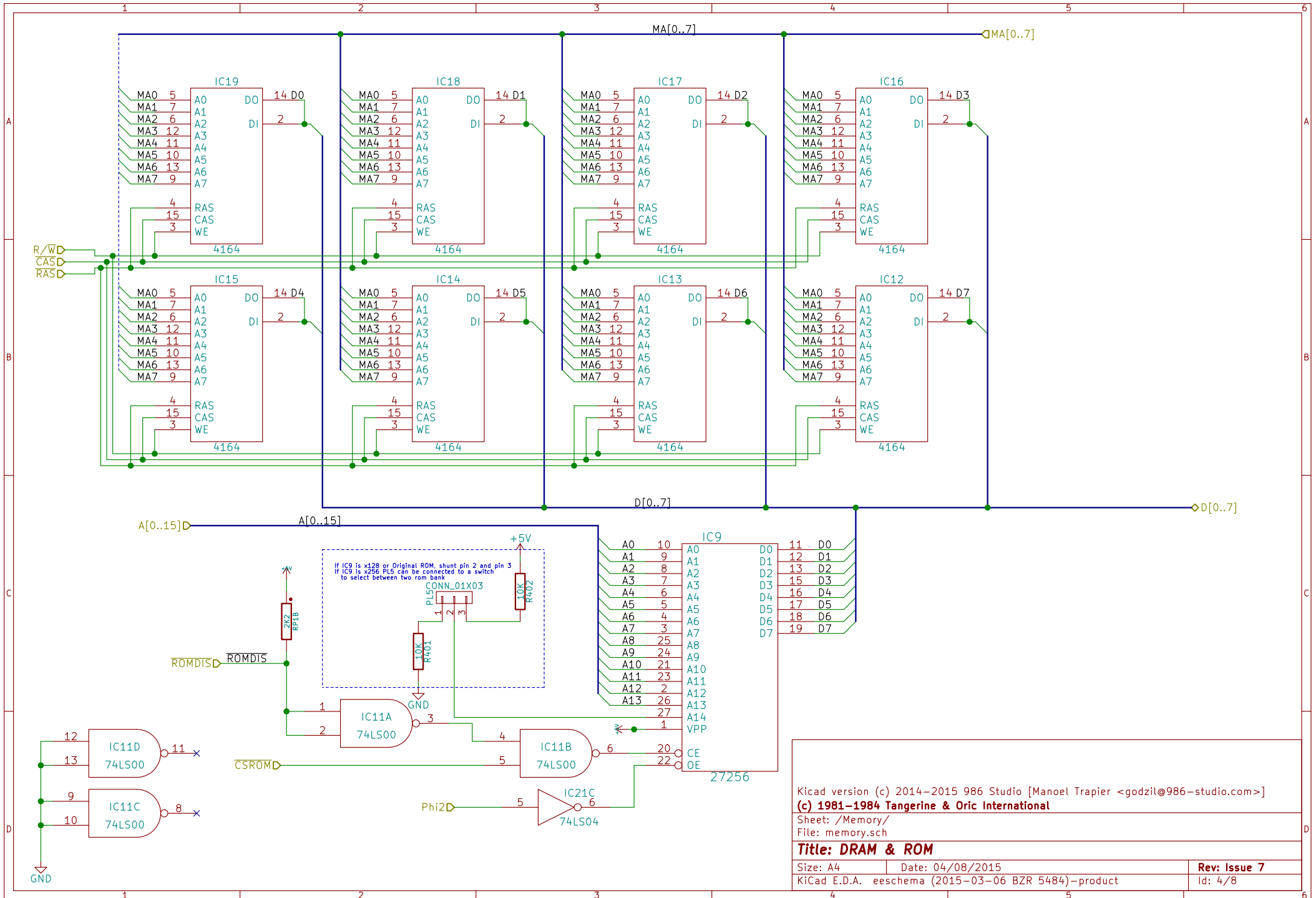
Size: A4 Date: 04/08/2015

Rev: Issue 7

KiCad E.D.A. eeschema (2015-03-06 BZR 5484)-product

Id: 2/8



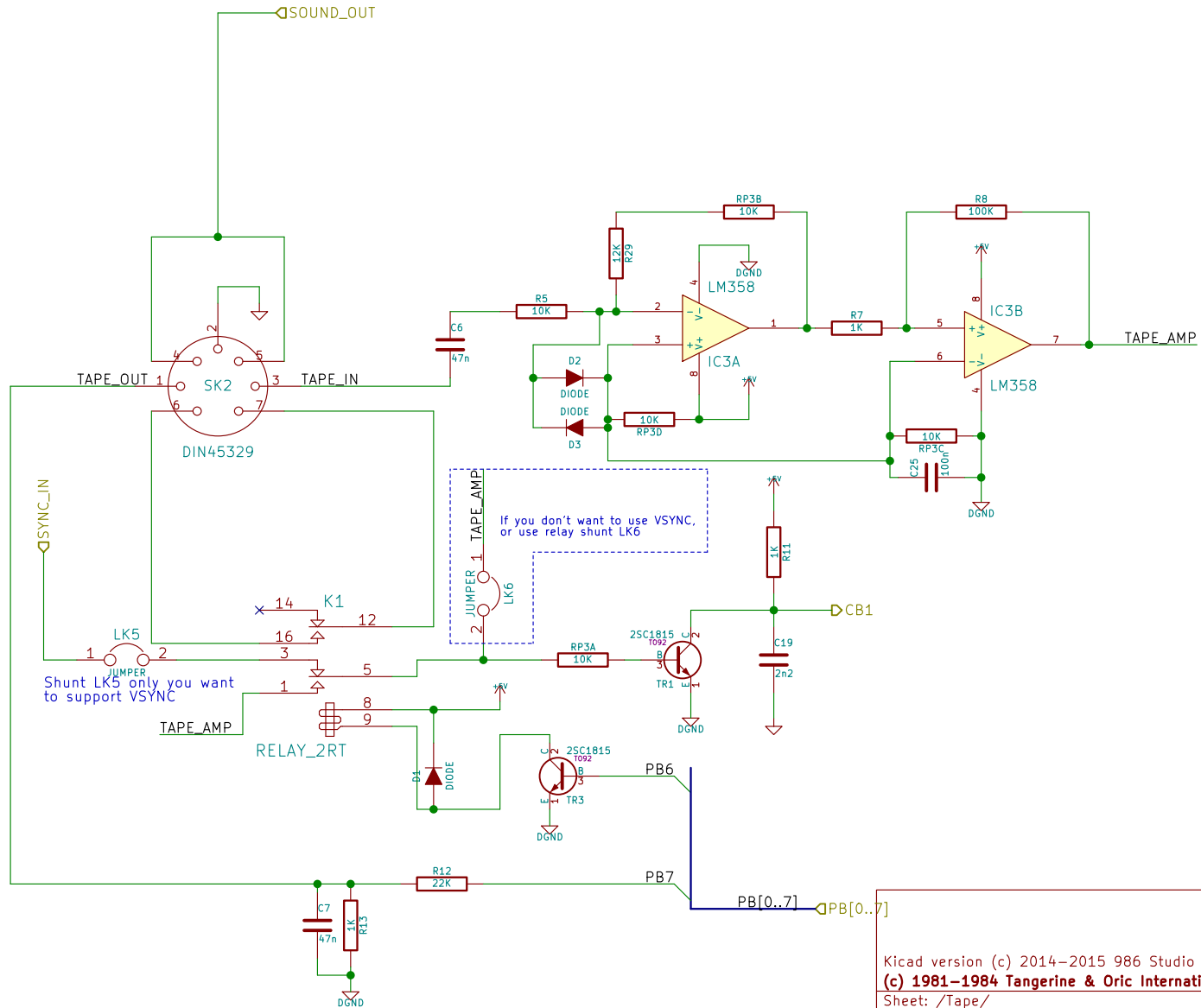


Kicad version (c) 2014-2015 986 Studio [Manoel Trapier <godzil@986-studio.com>]  
 (c) 1981-1984 Tangerine & Oric International

Sheet: /Memory/  
 File: memory.sch

**Title: DRAM & ROM**

Size: A4	Date: 04/08/2015	Rev: Issue 7
KiCad E.D.A. eeschema (2015-03-06 BZR 5484)-product		Id: 4/8



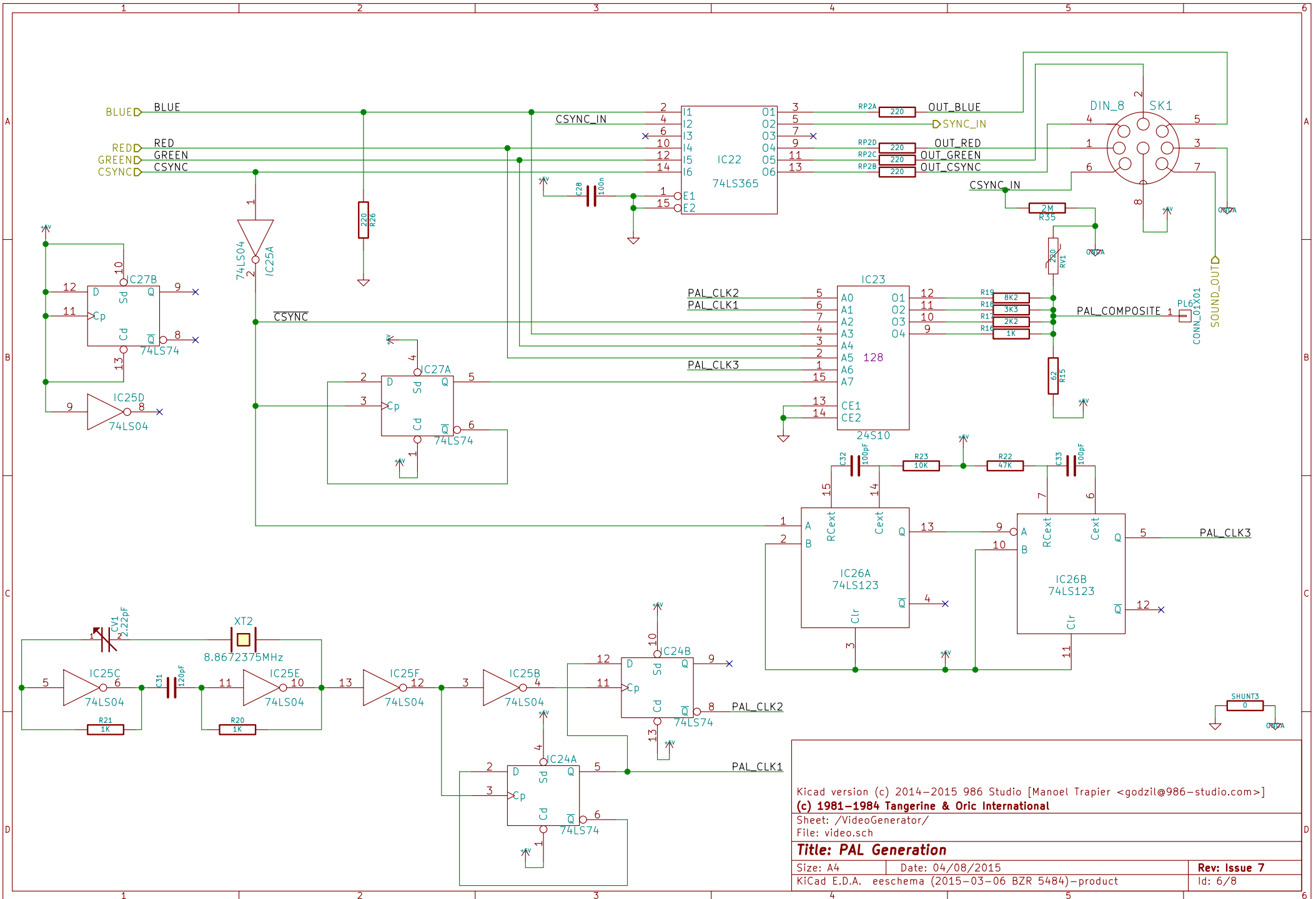
Kicad version (c) 2014-2015 986 Studio [Manoel Trapier <godzil@986-studio.com>]  
 (c) 1981-1984 Tangerine & Oric International

Sheet: /Tape/  
 File: tape.sch

**Title: Oric**

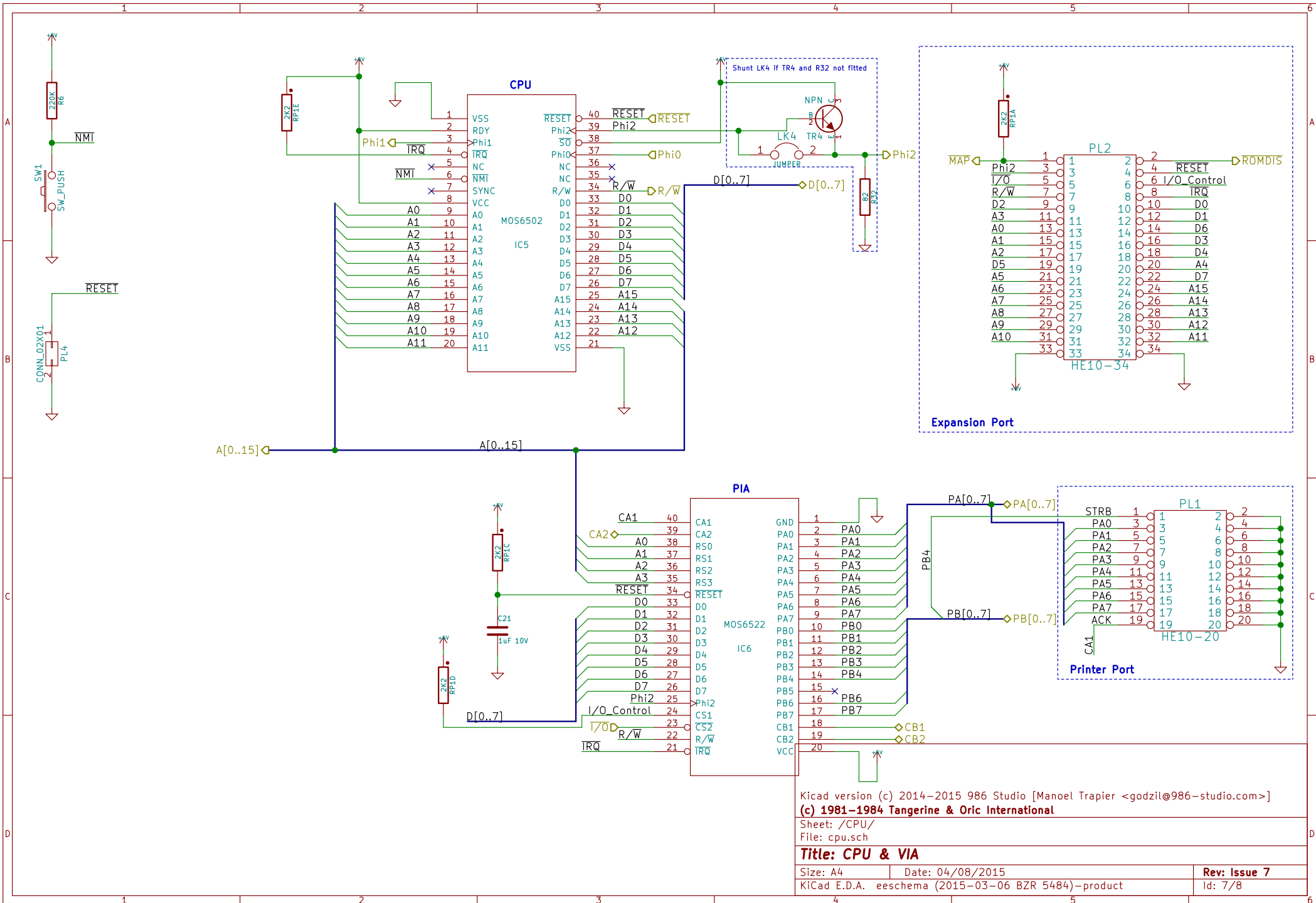
Size: A4 Date: 04/08/2015  
 KiCad E.D.A. eeschema (2015-03-06 BZR 5484)-product

**Rev: Issue 7**  
 Id: 5/8



Kicad version (c) 2014-2015 986 Studio [Manoel Trapier <godzil@986-studio.com>]  
 (c) 1981-1984 Tangerine & Oric International  
 Sheet: /VideoGenerator/  
 File: video.sch

<b>Title: PAL Generation</b>	
Size: A4	Date: 04/08/2015
KiCad E.D.A. eeschema (2015-03-06 BZR 5484)-product	Rev: Issue 7
	Id: 6/8



Kicad version (c) 2014-2015 986 Studio [Manoel Trapier <godzil@986-studio.com>]

(c) 1981-1984 Tangerine & Oric International

Sheet: /CPU/

File: cpu.sch

**Title: CPU & VIA**

Size: A4 Date: 04/08/2015

KiCad E.D.A. eeschema (2015-03-06 BZR 5484)-product

Rev: Issue 7

Id: 7/8

